



# Jeanneau Merry Fisher 795 Sport - Series 2

£135,995 • Brightlingsea United Kingdom (UK) • New • 2025

## Presented by

Peter Marchant  
Phone: 44(0)1206302003

**Morgan Marine**  
The Boatyard, Shipyard  
Estate  
CO7 0AR Colchester  
United Kingdom (UK)



## Details

Make:	Jeanneau
Model:	Merry Fisher 795 Sport - Series 2
Year:	2025
Condition:	New
Engine:	, 660 hp
Engine type:	
Fuel type:	Gasoline
Length:	8.14 m (26.71 ft)
Beam:	2.82 m (9.25 ft)
Cabins:	0
Berths:	0



Morgan Marine



7zea.com

# Description

EN

Jeanneau Merry Fisher 795 Sport - Series 2 - with Yamaha F250 NSB X - Steer By Wire outboard, bow thruster and automatic trim tabs - for great performance, comfort and easy close-quarter manoeuvrability. With a saving of over £12,000 on the RRP. Port and starboard wheelhouse side doors and aft window. Over £50,500 extras including Trim Level Premiere, Garmin electronics, Fusion audio, electric windlass, cockpit side benches + aft sliding sun protection, exterior galley, swim platforms, marine toilet and much more! CE category C for 9. Delivered to Morgan Marine with full PDI / commissioning / installation, 3 piece name set and hand over package + prepared and antifouled. This 2025 model Jeanneau Merry Fisher 795 Sport is available to order for UK delivery - alternative specifications in stock at Morgan Marine. NB - library photos may not reflect specification of boat.

Deck: Electric windlass (with control from helm) + self draining anchor locker + bow roller + anchor and chain. 2 forward chocks + 2x forward + 2x middle + 2x aft mooring cleats. Open front pulpits + handrails + side pulpits + aft cockpit handrails. Walk around side decks to bow. Folding aft cockpit bench (with cushion) + luxury folding port and starboard side benches (with cushions). 3x cockpit deck lockers. Swim platform with ladder + cockpit barrier. Cockpit side gate for easy access onto mooring. Fishing rod holders. Live bait tank (without oxygenation) + fish cutting table - to aft. Mooring kit - fenders and ropes. Exterior galley in the cockpit with sink (pressurised water) and gas plancha. Storage rack on the roof for Stand Up Paddle board. Removable aft cockpit table. Front cockpit table and cushions. Bow sun mattress: aluminium support frame and 3 cushions. Cockpit shower.

Cabin: Forward cabin with double berth, opening porthole, hatch to deck, shelves and overhead light. Separate compartment with marine toilet + holding tank and opening porthole.

Cockpit: Wheelhouse with aft window (instead of aft door - allowing for galley behind), inverted windscreen (the top is further forward than the bottom) - with port and starboard windscreen wipers + screen wash, roof hatch, plus port and starboard side door. Helm position with full engine controls, electronics, compass and horn. Pilot bolster seat - lockers under seats. Galley behind helm position - sink, 40L fridge and space for removable gas stove. Fabric upholstery in saloon. Rod holders on wheelhouse roof. Wheelhouse inside curtains.

Electronics: Garmin Electronic Pack: Garmin echoMAP UHD2 92sv touch and GT23M-TM transducer. Fusion Audio Pack: Fusion RA210 + bluetooth + USB and 2x speakers. 220v shore power socket + battery charger. Overhead lights in wheelhouse and cabin. Navigation lights. 2x work lights in aft cockpit. 2x front headlights on the roof (2 LED light bars).

Machinery: Yamaha F250 NSB X - Steer By Wire outboard engine. Hydraulic steering. Bow thruster. Zipwake automatic trim tabs. Pressurised fresh water system, water tank, cockpit shower, tap in galley, tap in toilet compartment. Volcano engine lock. Manual and electric bilge pumps. Fuel capacity: 280L (with outside fill). Water capacity: 100L.

## General information

Make:	Jeanneau
Model:	Merry Fisher 795 Sport - Series 2
Year:	2025
Condition:	New

## Engine

Engine:	, 660 hp
Engine type:	
Fuel type:	Gasoline

## Measurements

Length:	8.14 m (26.71 ft)
Beam:	2.82 m (9.25 ft)
Deep:	0.58 m (1.90 ft)
Weight:	0 ()

## Accommodation

Cabins:	0
Berths:	0

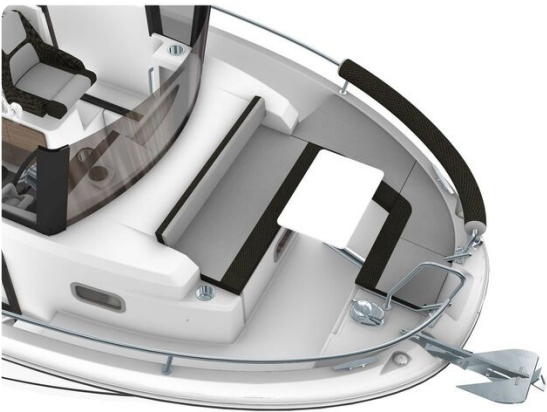
# Images



Jeanneau Merry Fisher 795 Sport - Series 2



Jeanneau Merry Fisher 795 Sport - Series 2 - helm side door



Jeanneau Merry Fisher 795 Sport - Series 2 - render of bow seating and table



Jeanneau Merry Fisher 795 Sport - Series 2 - cockpit side gate for easy access to pontoon



Jeanneau Merry Fisher 795 Sport - Series 2 - forward cabin

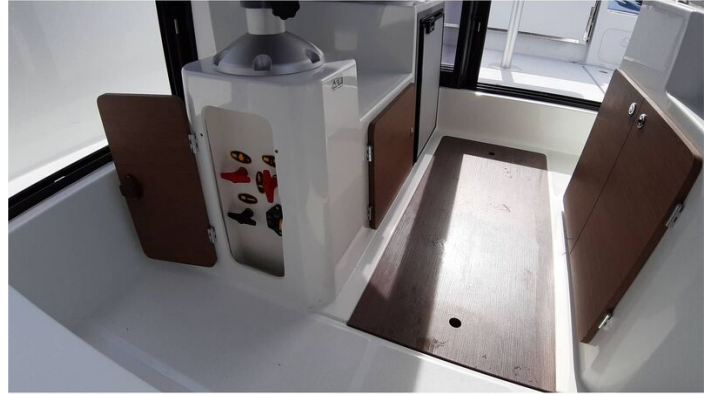


Jeanneau Merry Fisher 795 Sport - Series 2 - wheelhouse interior





Jeanneau Merry Fisher 795 Sport - Series 2 - toilet compartment



Jeanneau Merry Fisher 795 Sport - Series 2 - breakers



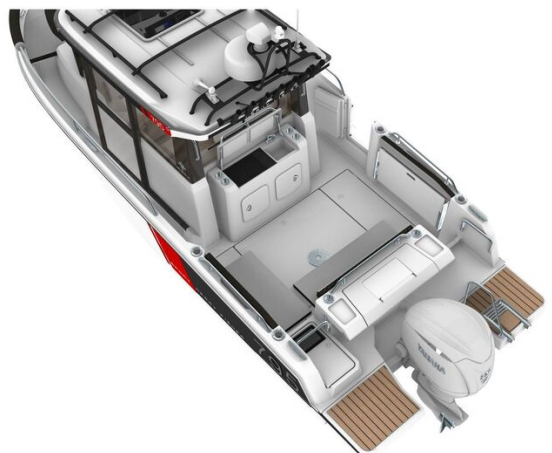
Jeanneau Merry Fisher 795 Sport - Series 2 - render of wheelhouse with aft bench



Jeanneau Merry Fisher 795 Sport - Series 2 - on the water



Jeanneau Merry Fisher 795 Sport - Series 2 - easy access to pontoons



Jeanneau Merry Fisher 795 Sport - Series 2 - render of cockpit galley

**Morgan Marine**

The Boatyard, Shipyard Estate  
CO7 0AR Colchester  
United Kingdom (UK)

Phone: 44(0)1206302003

<https://morganmarine.com>

